


LED LIGHTING

EVde-PR../LED Series – Wellglass - Copper-free aluminium

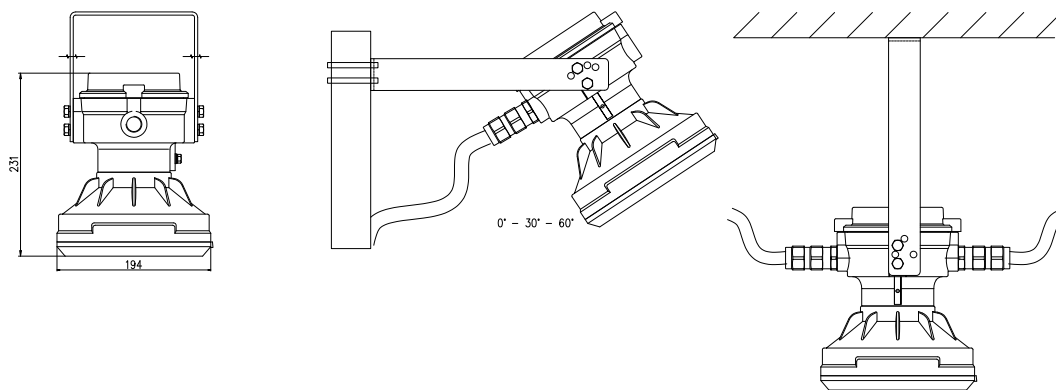


- Explosion-proof wellglass lighting fixture made in copper-free aluminium and tempered glass; provided with AISI304 or AISI316L stainless steel hardware and screws;
- LED lifetime-saving technology and overvoltage protection system;
- High resistance to corrosion and designed for the harshest temperatures.

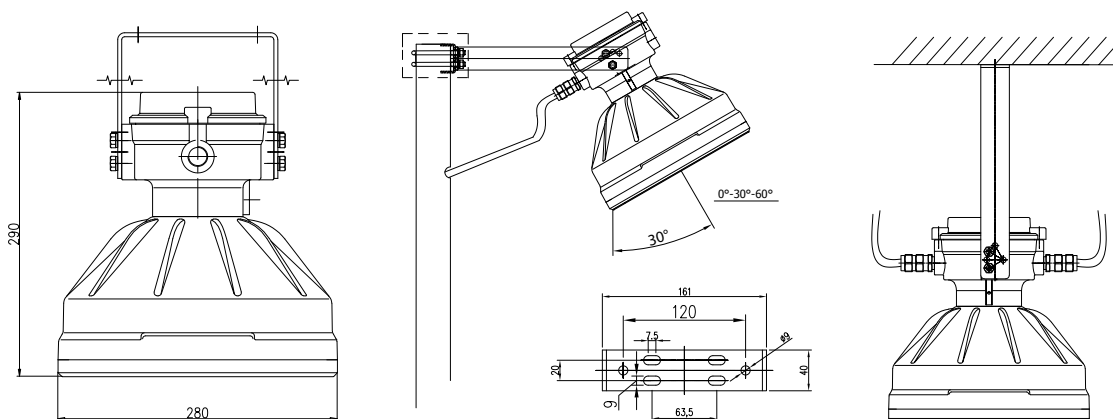
TECHNICAL FEATURES

Material	Copper-free aluminium and tempered glass
IP rating	IP66
Ambient temperature range	-60°C to +60°C (Operating at -60°C, provided that the luminaire is switched on above -40°C)
Approvals	ATEX: INERIS 01ATEX0019X - IECEx: INE 15.0031X EAC: RU C-IT.BH02.B.00616/20 - ECAS: 21-04-10282 E21-04-021858
Marking	II 2 G Ex db eb IIC T5/T4/T3 Gb II 2 D Ex tb IIIC T100°C/T135°C/T200°C Db Standards compliance IEC/EN 60079-0, IEC/EN 60079-1, IEC/EN 60079-7, IEC/EN 60079-31
Zones	Gas Zone: 1, 2 Dust Zone: 21, 22
Rated voltage	220-240 VAC (+/-10%)
Frequency	50-60 Hz
Flux	Up to 22.000 lm
Colour rendering index	70 CRI
Colour temperature	4.000 K
Power factor	cos φ ≥ 0,98
Surge protection	8 kV
Driver	Integrated - Equipped with thermal guard protection to prevent overtemperature
LED Lifetime (L70) Ta +25°C	> 54.000 h - L70 according to IES LM-80-08
Hardware and screws	AISI304 or AISI316L stainless steel
Coating	Polyurethane with epoxy base, Blue RAL5014 (Other colours on request)
Entries	n°2 entries Ø 25mm
Through wiring	Loop-in/Loop-out
Plug	n° 1 x M25 brass nickel chromed (gasket + M25 lock nut included)
Accessories upon request	AISI316L Pole mounting kit 2"; Brass Nicr/AISI316L cable glands for armoured/unarmoured cable (seal gasket + set of seal + M25 lock nut included); Shroud for cable gland; Brass nickel chromed/AISI316L M25 plug (gasket + M25 lock nut included)
Photometric curve	

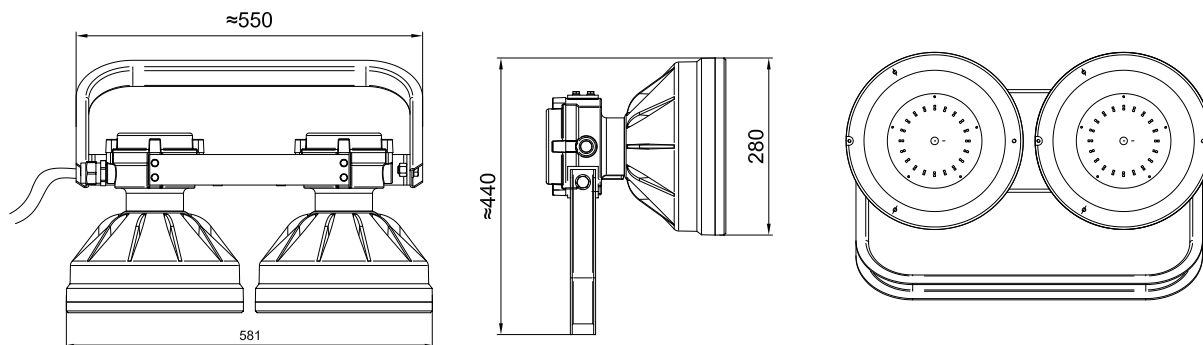
Dimensions – EVde-PR4/LED L6K



Dimensions – EVde-PR5/LED L11K



Dimensions – EVde-PR5/LED L22K



EVde-PR../LED – Wellglass lighting fixtures

TYPE	CODE	LAMP [W]	LUMEN [lm]	LUM. EFF. [lm/W]	Weight [Kg.]
EVDE-PR4/LED L6K	A030464510001	45	7.950	135	5,00
EVDE-PR5/LED L11K	A030568010001	84	11.000	131	10,50
EVDE-PR5/LED L22K	A03Y121195002	84*2	22.000	131	27,00